

# ACU-FASTNR



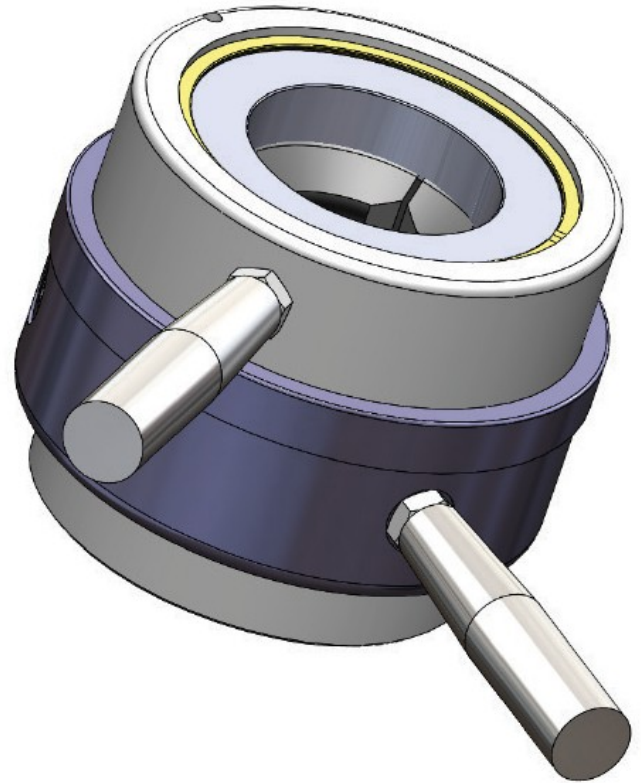
Where safety, efficiency, and reliability converge.

The ACU-FASTNR is a revolutionary approach to threaded connections, offering all the benefits but none of the shortfalls with the added enhancement of speed. The ACU-FASTNR is built with threaded segments that are separated from each other. These segments are encased and located on a ramp that force the segments into the threads of the partnering connector. The tighter you pull or push the tighter it grips.

Damaged threads are no longer a problem. Just slide right past and engage.

ACU-FASTNR technology improves worker safety as well as reduces time and labor cost.

100% Replacement parts available



## FEATURES AND BENEFITS

- Safer, more efficient, and more durable
  - No cheater bars or hammers required
  - Simply squeeze on and off, no twisting and turning
  - All parts are load tested, stainless, and coated for anti-corrosion protection
- Replaces heavy hex nut or spider nut
- Eliminates tedious, repetitious turning and cross threading
- Fits standard bolt size:
  - 2" model: 2 – 4.1/2 TPI, 200 Ton rating at 10,000 psi

Patented

 MADE IN USA